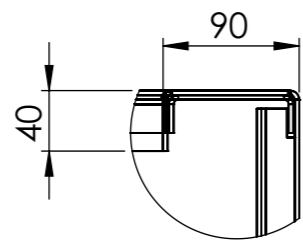
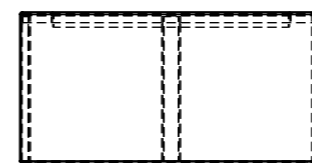
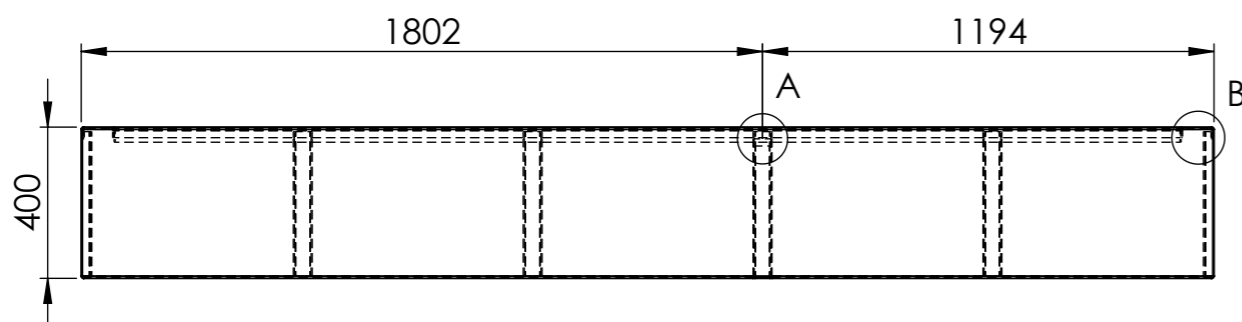
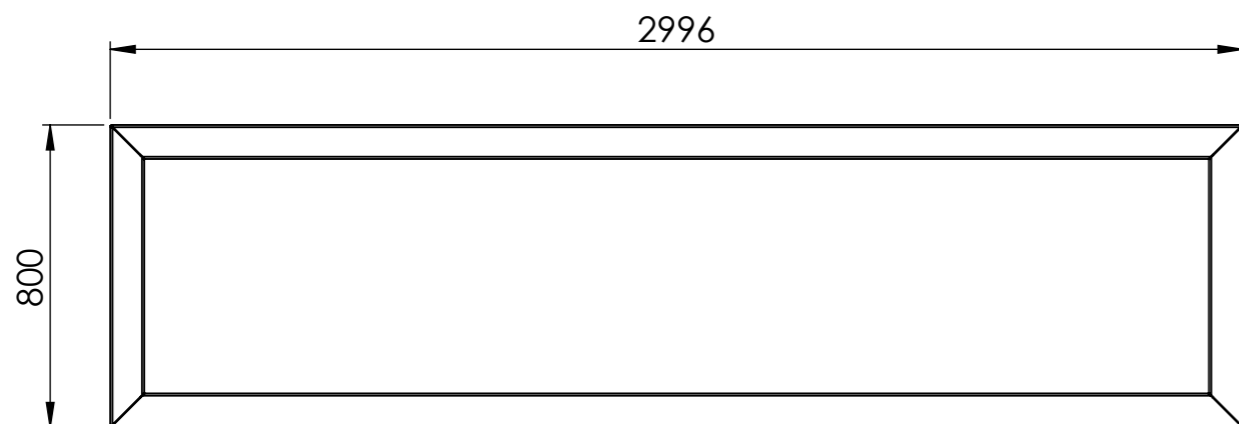
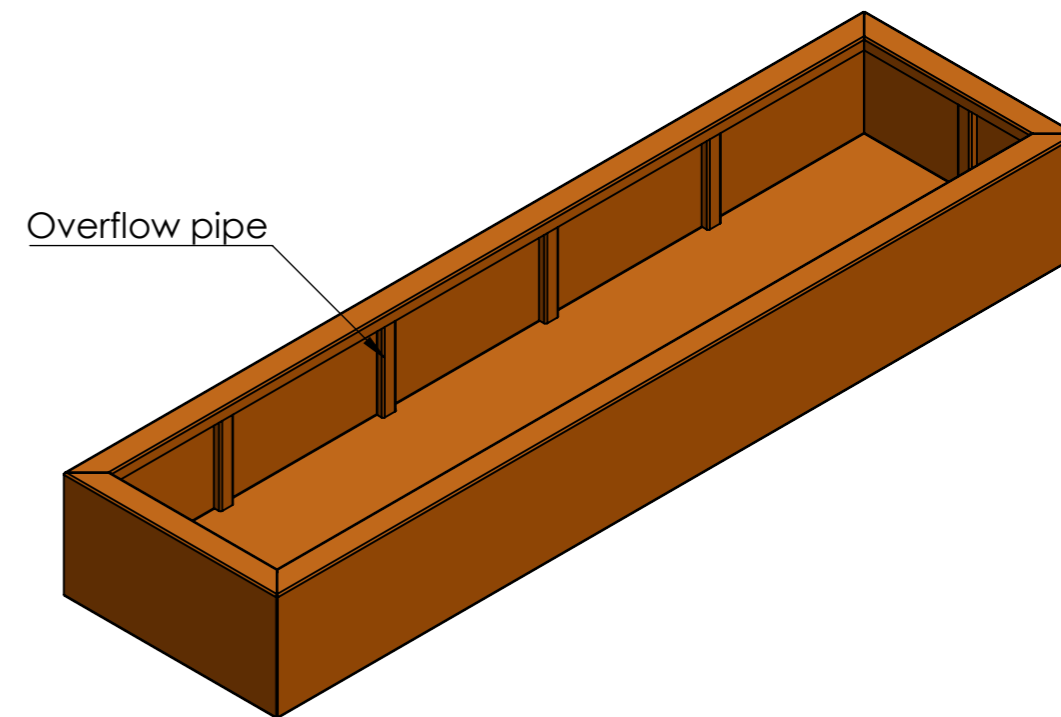


DETAIL A
SCALE 1 : 5



DETAIL B
SCALE 1 : 5



		DATE		TITLE:
DRAWN	Luuk van den Heuvel	2-2-2020		
REVISION	Benny Dijkhuis	4-5-2021		

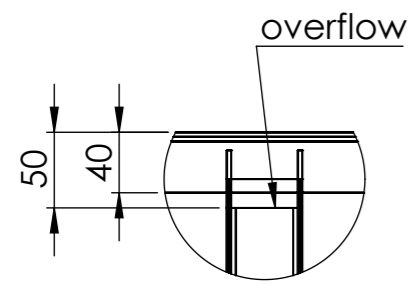
3mm Corten	
------------	--

ADEZZ
DESIGN TO GROW

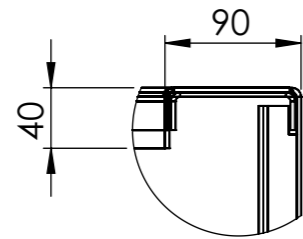
Liessentstraat 4, 5405 AG Uden (NL).
 † 0031 (0)413 - 27 41 68.
 e info@adezz.com, i www.adezz.com

Drawing:	VC7.1__	A3
----------	---------	----

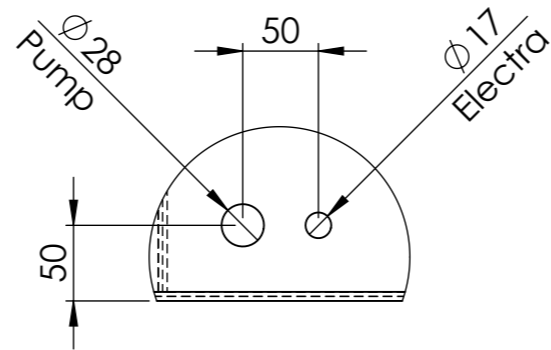
Color:	-	Mass (kg):	180,79	SCALE:1:20	SHEET 1 OF 13
--------	---	------------	---------------	------------	---------------



DETAIL A
SCALE 1 : 5



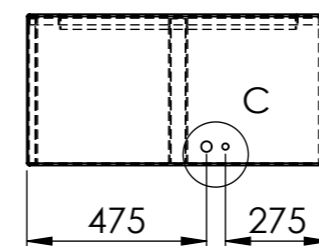
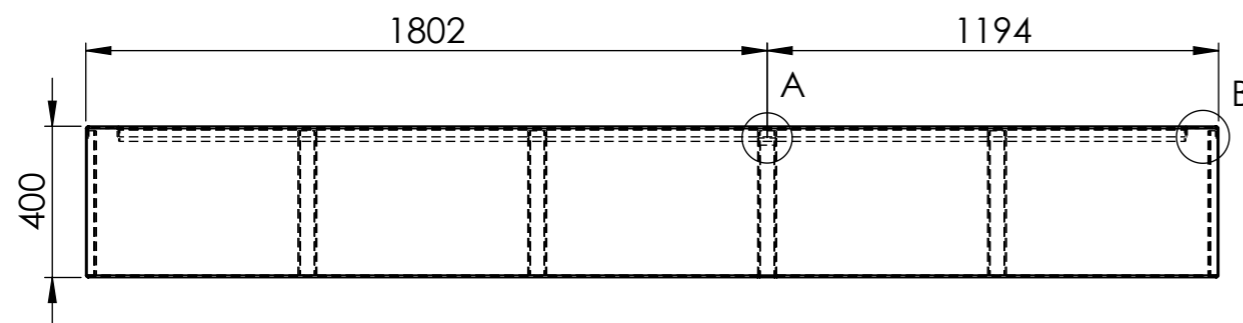
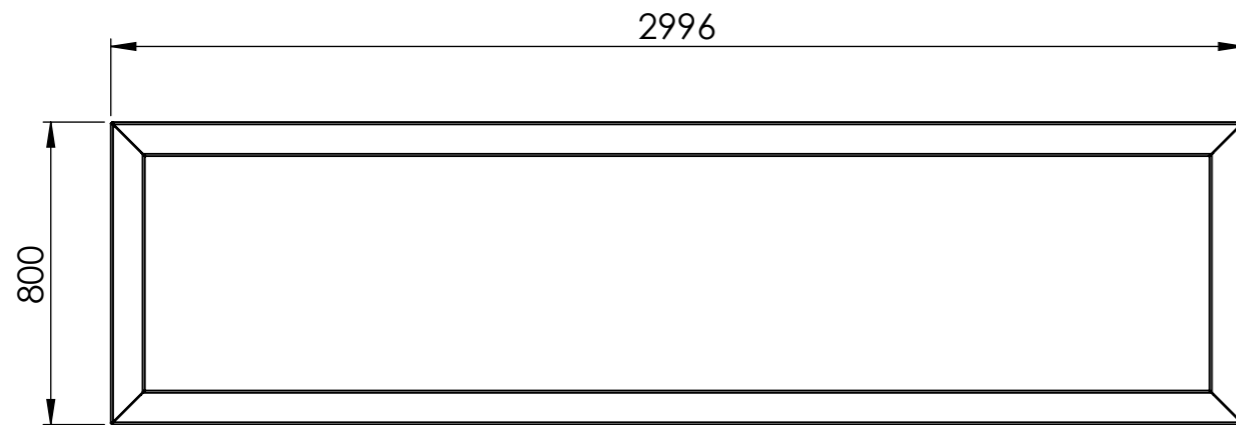
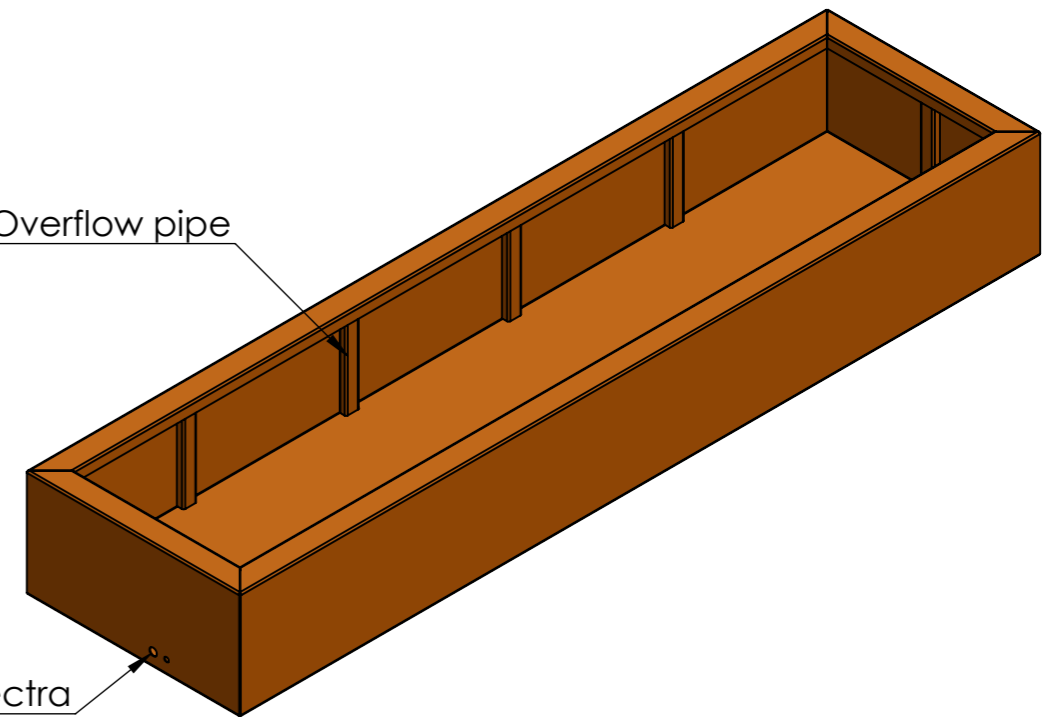
DETAIL B
SCALE 1 : 5



DETAIL C
SCALE 1 : 5

Overflow pipe

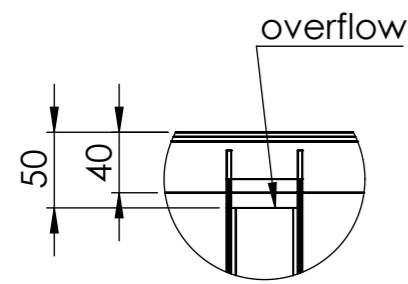
Pump and electra



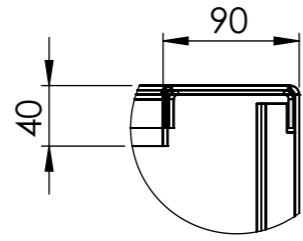
		DATE		TITLE:
DRAWN	Luuk van den Heuvel	2-2-2020		3mm Corten
REVISION	Benny Dijkhuis	4-5-2021		Drawing:
				VC7.1__
				A3
Color:	-	Mass (kg):	180,77	SCALE:1:20
				SHEET 1 OF 13

ADEZZ
DESIGN TO GROW

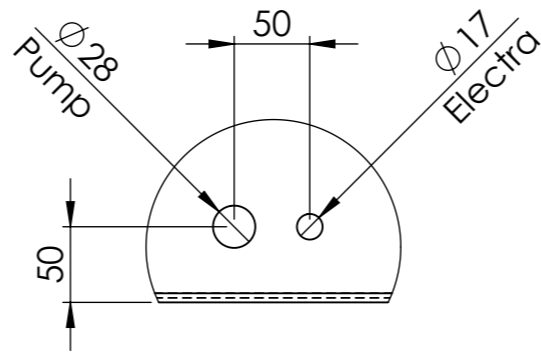
Liessentstraat 4, 5405 AG Uden (NL).
t 0031 (0)413 - 27 41 68.
e info@adezz.com, i www.adezz.com



DETAIL A
SCALE 1 : 5



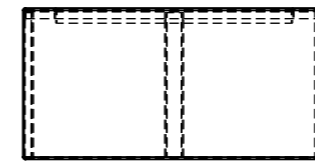
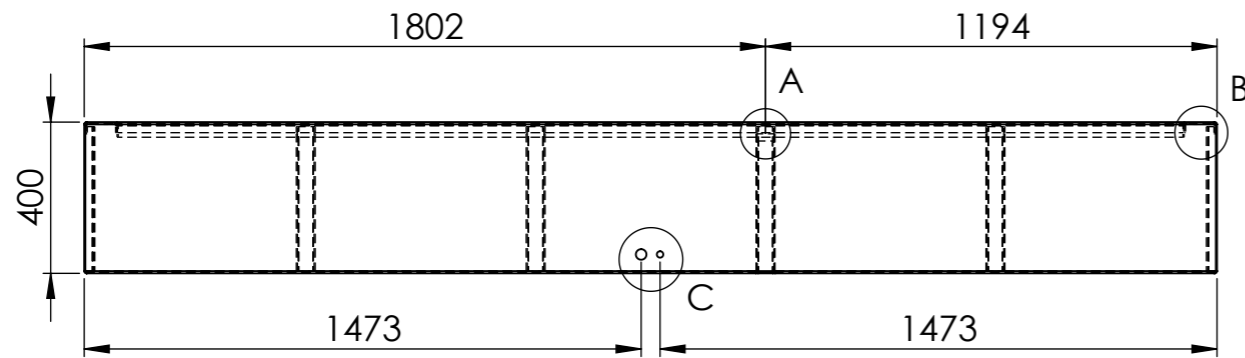
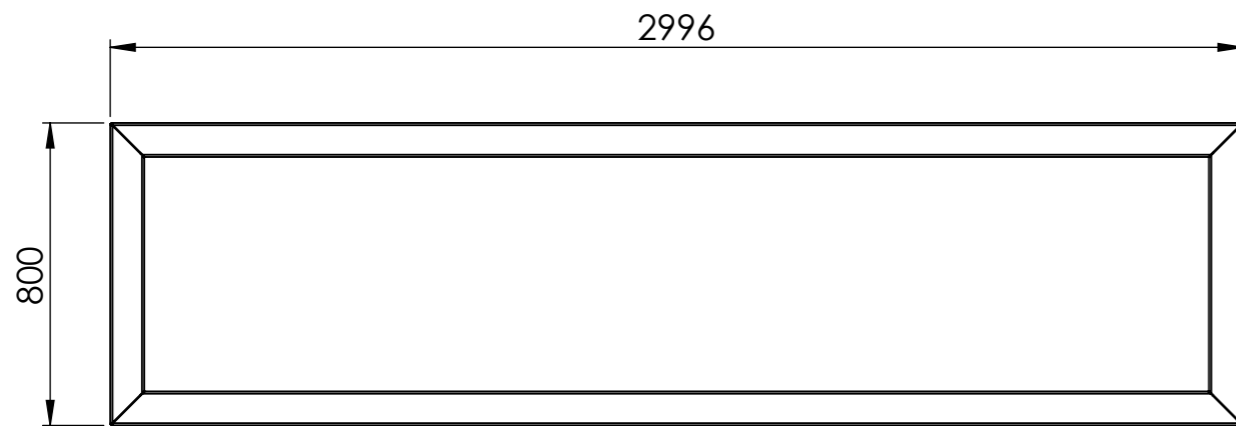
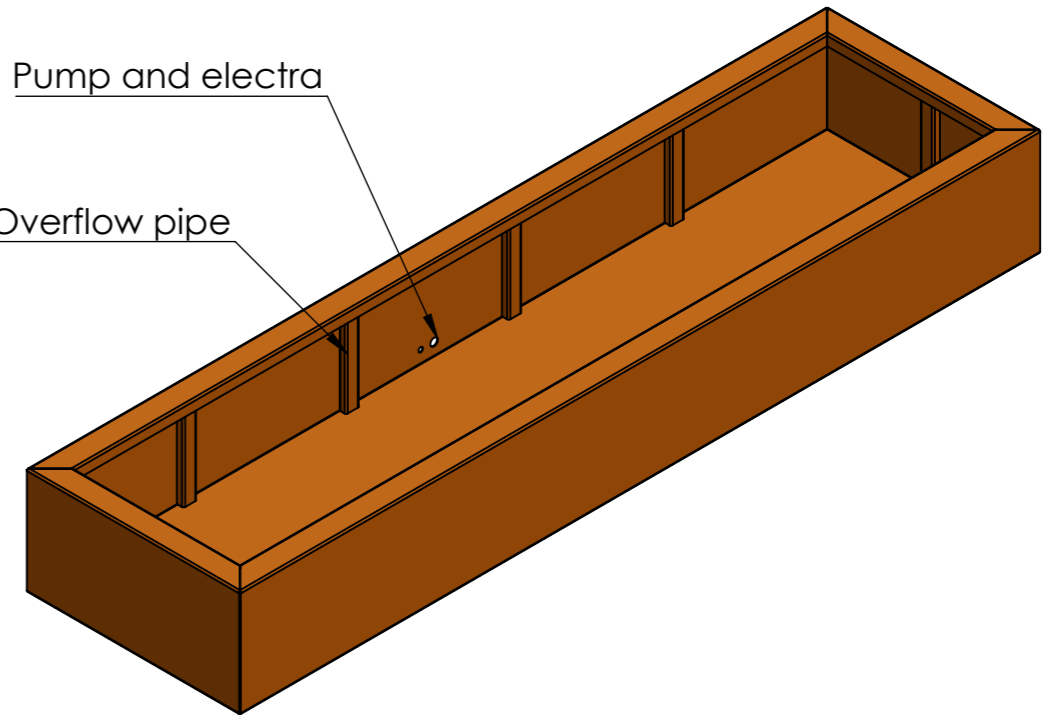
DETAIL B
SCALE 1 : 5



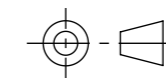
DETAIL C
SCALE 1 : 5

Pump and electra

Overflow pipe



DRAWN	Luuk van den Heuvel	DATE	2-2-2020
REVISION	Benny Dijkhuis	DATE	4-5-2021



TITLE:	3mm Corten	
--------	------------	--

ADEZZ
DESIGN TO GROW

Liessentstraat 4, 5405 AG Uden (NL).
t 0031 (0)413 - 27 41 68.
e info@adezz.com, i www.adezz.com

Drawing:	VC7.1__	A3
----------	---------	----

Color:	-	Mass (kg):	180,77	SCALE:1:20	SHEET 1 OF 13
--------	---	------------	---------------	------------	---------------